

# TTS 18-A II

## ACTIVE HIGH POWER SUBWOOFER

### DESCRIPTION

The RCF TTS 18-A II is a compact, high output subwoofer module ideal in combination with TT+ two way systems. The RCF TTS 18-A II woofer features lightweight neodymium magnet, inside-outside copper voice coil; silicon double spiders; water resistant treated cone; magnet assembly with minimum power compression. The amplifier section features 1400 watt RMS SMPS class-D Amplifier with full DSP and RDNet network capabilities.



### FEATURES

- 137 dB SPL Max
- 30-400 Hz Frequency Range
- 1 x 18" Hyper Vented woofer, 4" Voice Coil
- DSP Controlled Input Section with selectable presets (e.g. cardioid)
- 1400W RMS Class-D Amplifier
- RDNet remote monitoring and control
- Vertical and horizontal placement with M20 pole receptacle on top and side
- Baltic Birch Cabinet

## TECHNICAL SPECIFICATIONS

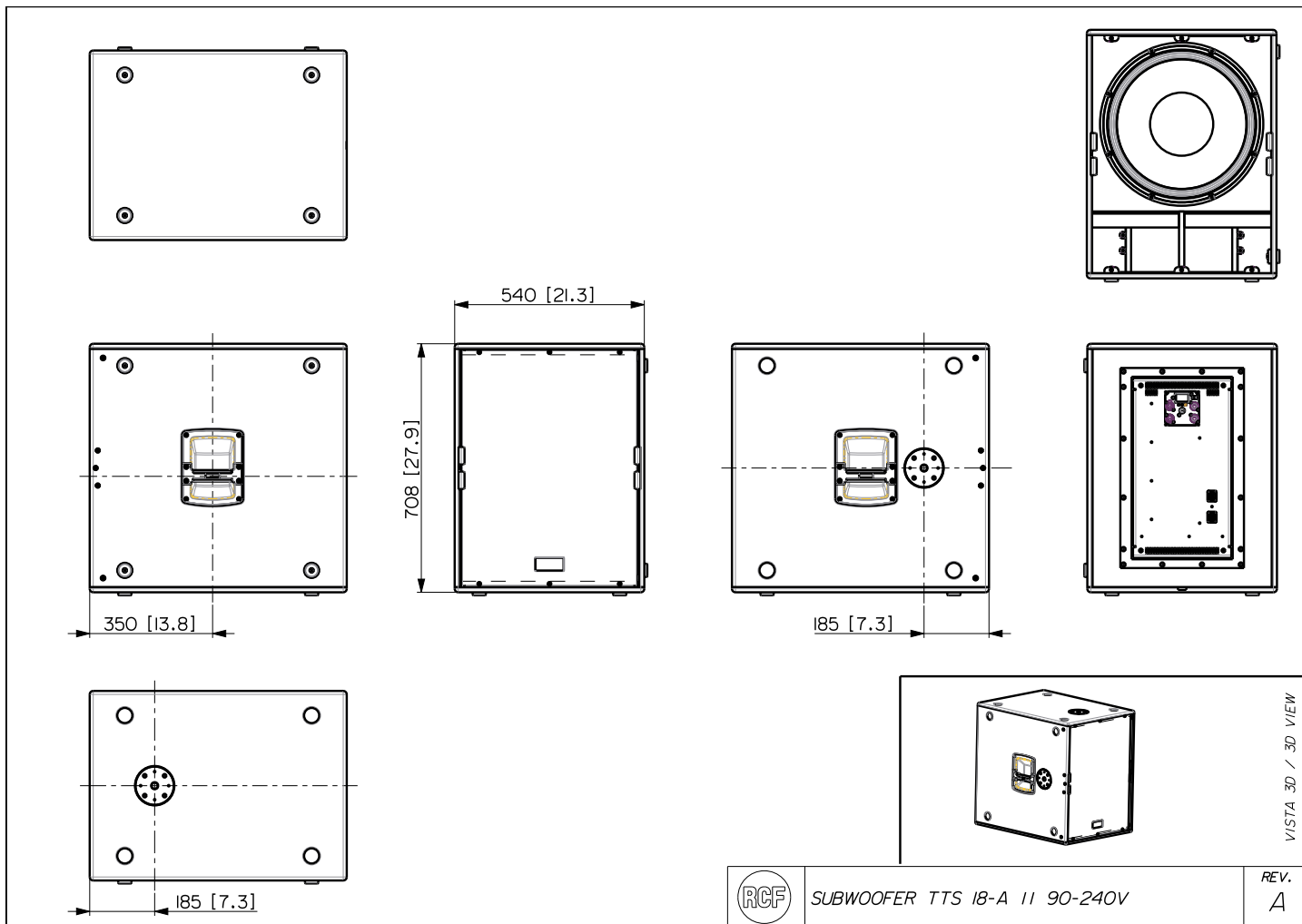
|                                  |                        |                                       |
|----------------------------------|------------------------|---------------------------------------|
| <b>Acoustical specifications</b> | Frequency Response:    | 30 Hz ÷ 400 Hz                        |
|                                  | Max SPL @ 1m:          | 137 dB                                |
| <b>Transducers</b>               | Woofers:               | 18" neo, 4.0" v.c                     |
| <b>Input/Output section</b>      | Input signal:          | bal/unbal                             |
|                                  | Input connectors:      | XLR, RDNet Ethercon                   |
|                                  | Output connectors:     | XLR, RDNet Ethercon                   |
|                                  | Input sensitivity:     | +4 dBu                                |
| <b>Processor section</b>         | Hi-Pass Frequencies:   | 30 Hz, 40 Hz                          |
|                                  | Low-Pass Frequencies:  | Variable from 50 Hz to 100 Hz         |
|                                  | Protections:           | Thermal, RMS                          |
|                                  | Limiter:               | Fast Limiter                          |
|                                  | Controls:              | Gain, Eq, Preset Switch, Output Delay |
| <b>Power section</b>             | Total Power:           | 2800 W Peak, 1400 W RMS               |
|                                  | Cooling:               | Forced                                |
|                                  | Connections:           | Powercon IN/OUT                       |
| <b>Standard compliance</b>       | CE marking:            | Yes                                   |
| <b>Physical specifications</b>   | Cabinet/Case Material: | Baltic birch plywood                  |
|                                  | Hardware:              | 2 x M20                               |
|                                  | Handles:               | 2 x Side                              |
|                                  | Grille:                | Steel                                 |
|                                  | Color:                 | Black                                 |
| <b>Size</b>                      | Height:                | 708 mm / 27.87 inches                 |
|                                  | Width:                 | 540 mm / 21.26 inches                 |
|                                  | Depth:                 | 732 mm / 28.82 inches                 |
|                                  | Weight:                | 52 kg / 114.64 lbs                    |
| <b>Shipping informations</b>     | Package Height:        | 780 mm / 30.71 inches                 |
|                                  | Package Width:         | 800 mm / 31.5 inches                  |
|                                  | Package Depth:         | 610 mm / 24.02 inches                 |
|                                  | Package Weight:        | 56.8 kg / 125.22 lbs                  |

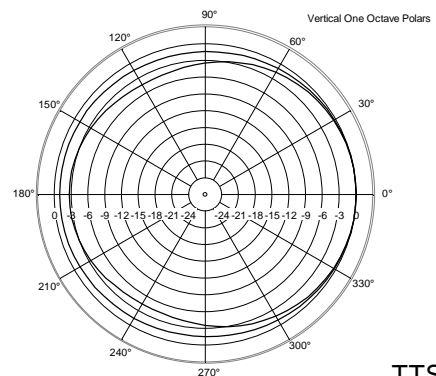
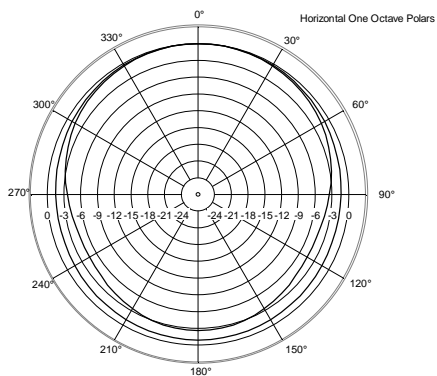
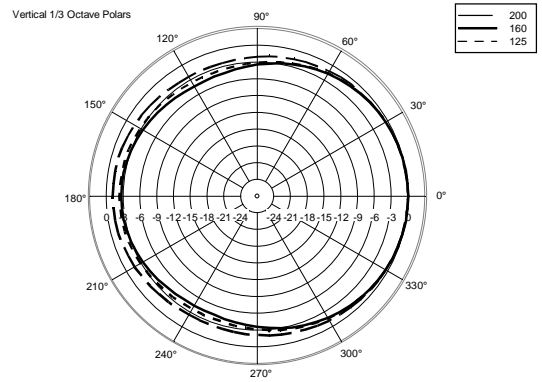
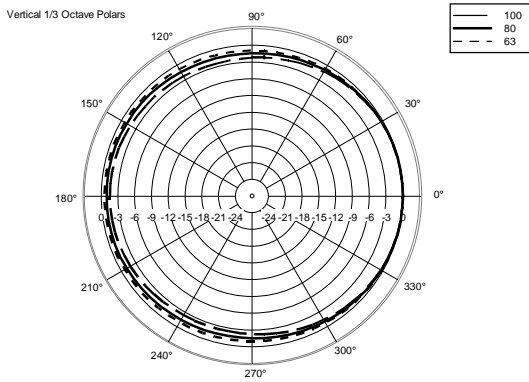
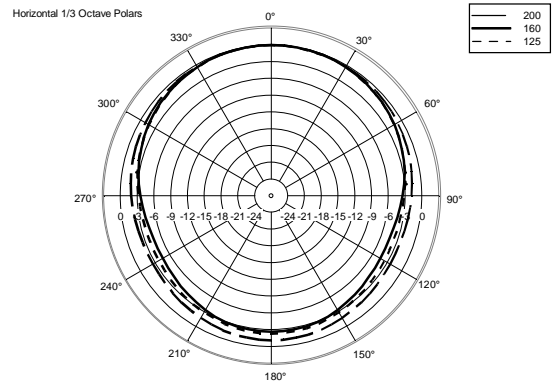
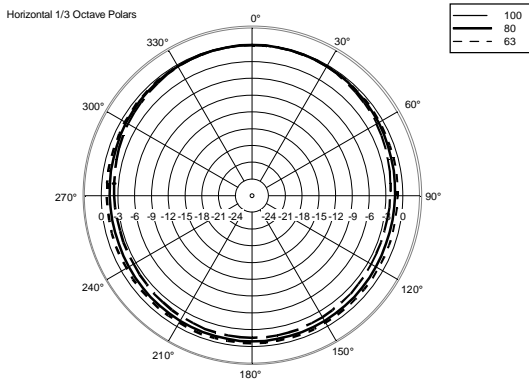
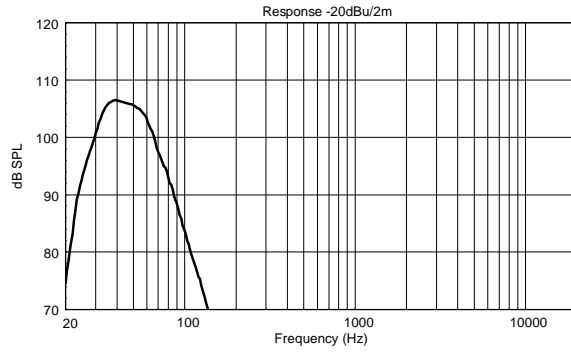
## PART NUMBER

- **13000545**










TTS 18-A II

EAN 8024530015343





**ACCESSORIES**

|   |  |                     |                                  |
|---|--|---------------------|----------------------------------|
|    | AC CONNECTION SUB8006-AS CONN. BRACKET | PART NUMBER<br>EAN: | <b>13360231</b>                  |
|    | AC PM-M20                              | PART NUMBER<br>EAN: | <b>13360067</b><br>8024530014599 |
|    | AC PMX POLE MOUNT M20                  | PART NUMBER<br>EAN: | <b>13360232</b><br>8024530010058 |
|    | CABLES KIT CBL ETHERCON 0.7M           | PART NUMBER<br>EAN: | <b>12399016</b><br>8024530013844 |
|  | CABLES KIT CBL ETHERCON 3M             | PART NUMBER<br>EAN: | <b>12399035</b><br>8024530013868 |
|  | CABLES KIT CBL ETHERCON 5M             | PART NUMBER<br>EAN: | <b>12399018</b><br>8024530013875 |
|  | CABLES KIT CBL ETHERCON TO XLR F 0.2M  | PART NUMBER<br>EAN: | <b>12399019</b><br>8024530013882 |
|  | CABLES KIT CBL ETHERCON TO XLR M 0.2M  | PART NUMBER<br>EAN: | <b>12399020</b><br>8024530013899 |
|  | CABLES KIT CBL POWER BOX 6X            | PART NUMBER<br>EAN: | <b>13360145</b><br>8024530015534 |



CABLES KIT CBL POWERCON LINK 1.5M

PART NUMBER **12399030**  
EAN: 8024530013721

CABLES KIT CBL POWERCON LINK 10M

PART NUMBER **12399028**  
EAN: 8024530013707

CABLES KIT CBL POWERCON LINK 5M

PART NUMBER **12399029**  
EAN: 8024530013714

COVER CVR TTS 18 II

PART NUMBER **13360396**  
EAN: 8024530015466

KART WITH WHEELS KRT-WH TTS 18 II

PART NUMBER **13360384**  
EAN: 8024530015039